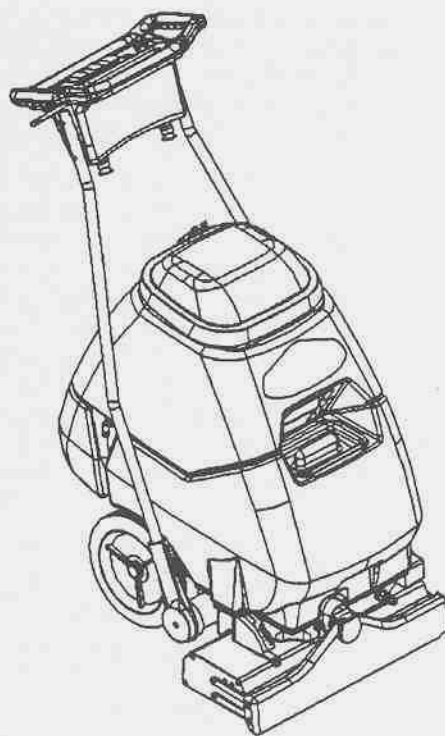


TASKI

Ersatzteilliste
Liste des pièces de rechange
Spare parts list

TASKI aquamat 45

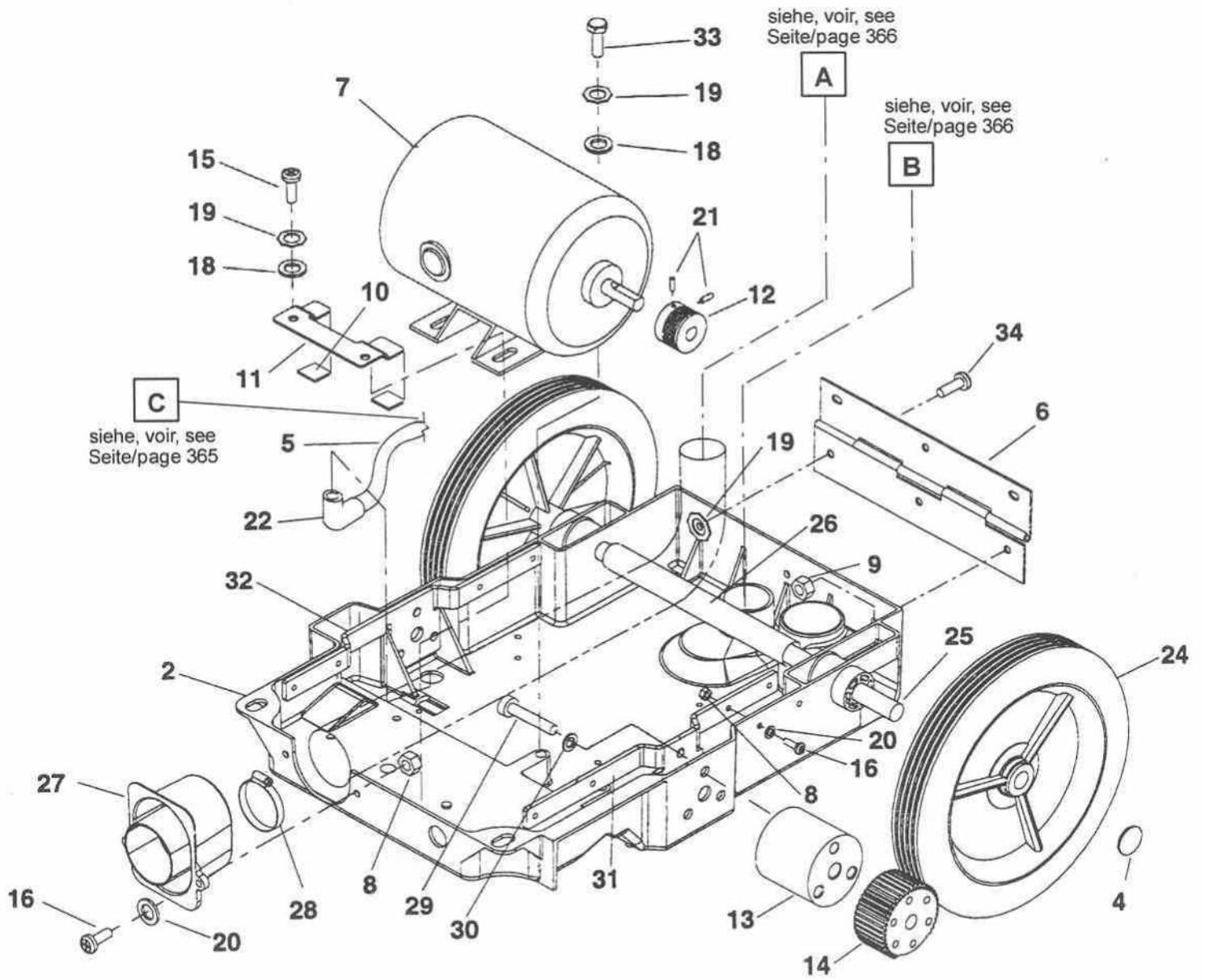


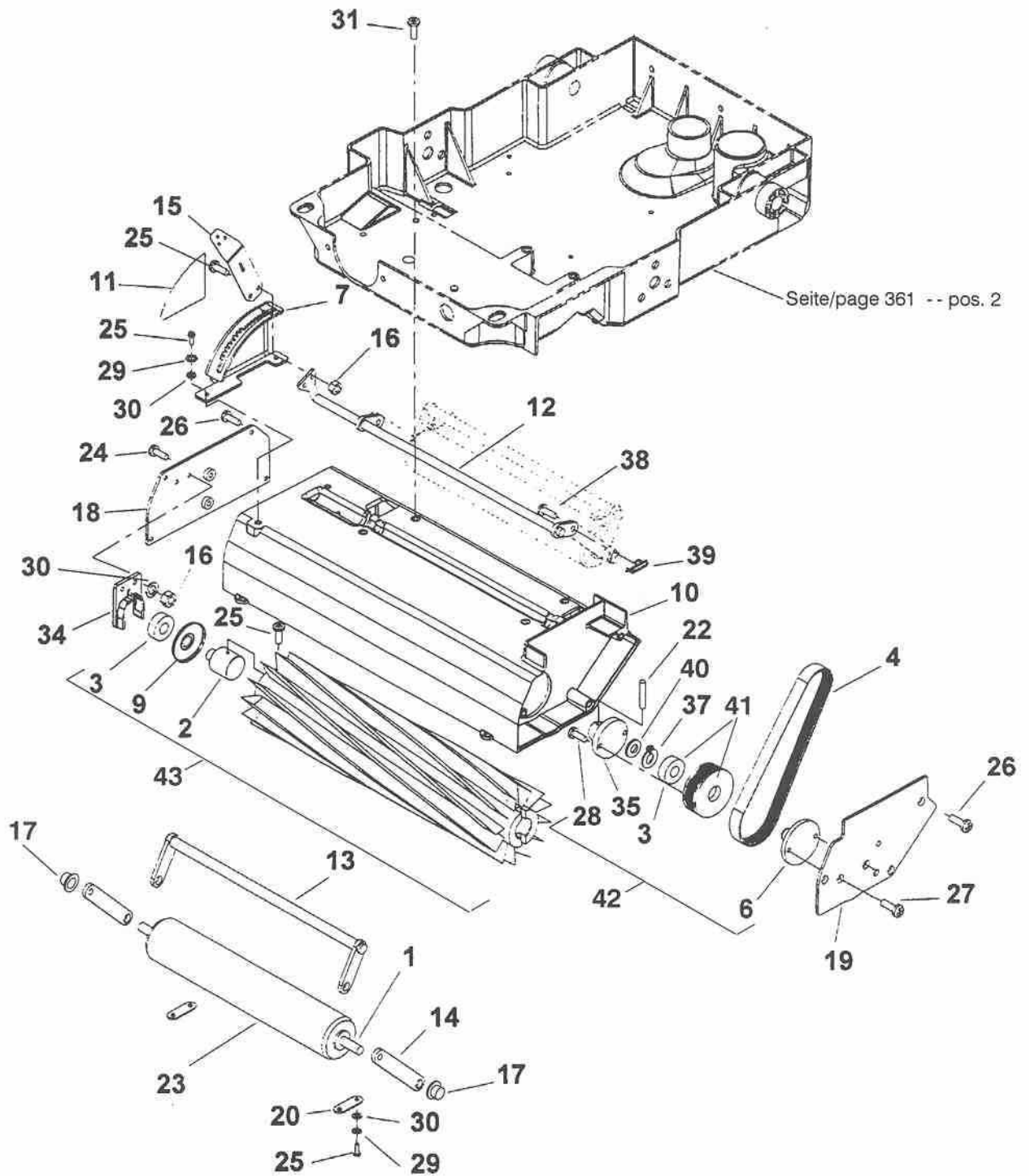
DiverseyLever

DiverseyLever AG CH-9542 Münchwilen
Tel. 071/969 27 27 Fax: 071/969 22 53

Ausführung/Execution; List(e) /1
20.07.99 SPS

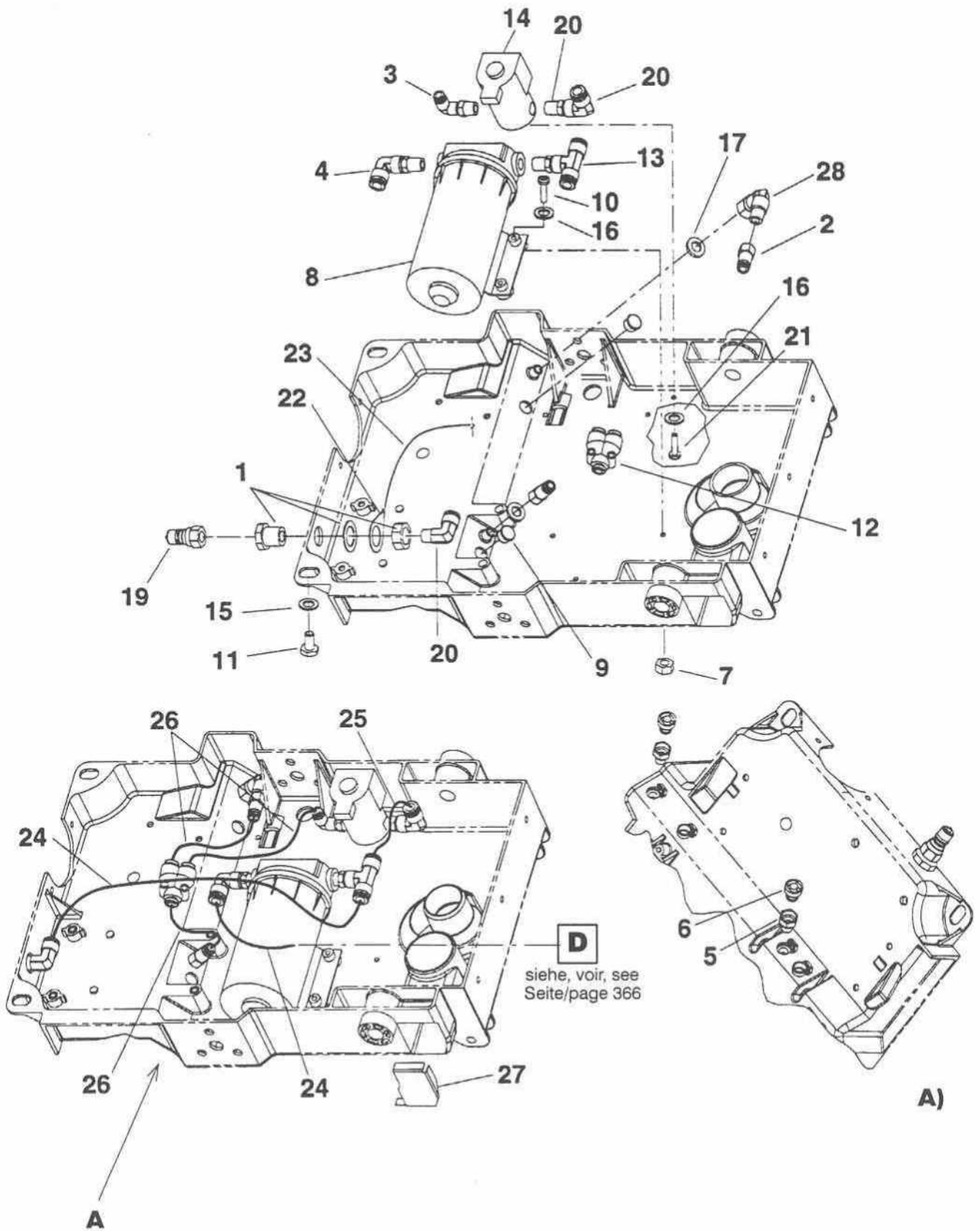
Typ AQ 45			Maschinen-Unterteil	Bâti de machine	Frame assembly
Serie 01					
Pos.	Bestell.-Nr. No. de commande Order.-Nr.	Stück Pièces Qty	Bezeichnung	Designation	Description
2	CH34357	1	MASCHINENRAHMEN	CADRE DE LA MACHINE	FRAME, CLP FAMILY
4	CH41236	2	HALTEKAPPE 5/8"	ANNEAU DE RETENUE 5/8"	HUBCAP, 5/8" SHAFT
5	CH41351	1	KABEL	CABLE	HARNESS, MAIN, CDT
6	CH41354	1	SCHARNIER	CHARNIERE	HINGE, TANK TO FRAME
7	CH53641	1	BUERSTENMOTOR 230 V	MOTEUR DE BROSSE 230 V	MOTOR 230V ASM, BRUSH CLP FAMILY
8	CH57030	2	SICHERUNGSMUTTER 10-32	ECROU SURETE 10-32	NUT, 10-32 HEX NYLOCK
9	CH57245	3	SICHERUNGSMUTTER 1/4-20	ECROU SURETE 1/4-20	NUT, 1/4-20 HEX NYLOCK SS
10	CH99809	2	DAEMPfung	AMORTISSEUR	FOAM TAPE
11	CH62761	1	PLATTE	PLAQUE	PLATE, BRUSH MTR CLAMP
12	CH64099	1	POULIE	POULIE	PULLEY, 1.4 OD, 6GR, MICRO-V
13	CH73949	2	ZWISCHENSTUECK	PIECE INTERMEDIAIRE	SPACER, HANDLE PIVOT
14	CH36081	2	ZAHNBLOCK	BLOC DENTEE	GEAR, 40 TOOTH
15	CH70085	2	LI.ZYL.SCHRAUBE MIT KS 1/4-20 X 1/2	VIS A TETE CYL. BOMB. 1/4-20 X 1/2	SCR, 1/4-20 X 1/2 PPHMS SS
16	CH70066	2	LI.ZYL.SCHRAUBE MIT KS 10-32 X 3/4	VIS A TETE CYL. BOMB. 10-32 X 3/4	SCR, 10-32 X 3/4 PPHMS
18	CH87013	4	UNTERLAGSCHEIBE 1/4 ID X 5/8	RONDELLE 1/4 ID X 5/8	WASHER, 1/4 ID X 5/8 OD SS
19	CH87025	5	SICHERUNGSSCHEIBE 1/4	RONDELLE DE SURETE 1/4	WASHER, 1/4 LOCK EXT STAR SS
20	CH87018	2	UNTERLAGSCHEIBE 10 X 9/16	RONDELLE 10 X 9/16	WASHER, #10 X 9/16 OD
21	CH70074	2	STIFTSCHRAUBE 10-32 X 1/4	VIS SANS TETE 10-32 X 1/4	SET SCR, 10-32 X 1/4 KCP
22	CH73197	1	KABELTUELLE 90°	EMBOUT 90°	STRAIN RELIEF, 90° DEGREE
24	CH89114	2	RAD 1-5/16 X 9.625	ROUE 1-5/16 X 9.625	WHEEL, 1-5/16 X 9.625 DIA
25	CH03107	1	ACHSE 5/8	AXE 5/8	AXLE, 5/8 X 17.06L
26	CH99667	10	SCHUTZSCHLAUCH	TUYAU DE PROTECTION	HEAT SHRINK, 3/4 ID UL/CSA
27	CH73943	1	FLANSCH	FLASQUE	SEAL, FRAME/TANK
28	2174/110	1	SCHLAUCHKLEMME 45-60	BRIDE 45-60	HOSE CLAMP 45-60
29	CH70671	2	LI.ZYL.SCHRAUBE I. 6-KT. 5/16-18 X 3,5	VIS CYL. A TROU 6 P. 5/16-18 X 3,5	SCR, 5/16-18 X 3,5 SHCS PLATED
30	CH87083	2	SICHERUNGSSCHEIBE 5/16	RONDELLE SURETEE 5/16	WASHER, 5/16 SPLIT LOCK PLTD
31	CH140354	1	PROFIL	BARRE	BRKT, CLP HANDLE SUPPORT
32	CH140355	1	PROFIL	BARRE	BRKT, CLP HANDLE SUPPORT LT.
33	3304/209	2	SECHSKANTSCHRAUBE 1/4-20 X 1/2	VIS A TETE S.P. 1/4-20 X 1/2	HEXAGON SCREW 1/4-20 X 1/2
34	CH70057	3	LI.ZYL.SCHRAUBE MIT KS 1/4-20 X 1	VIS A TETE CYL. BOMB. 1/4-20 X 1	SCR, 1/4-20 X 1 PPHMS SS BLK

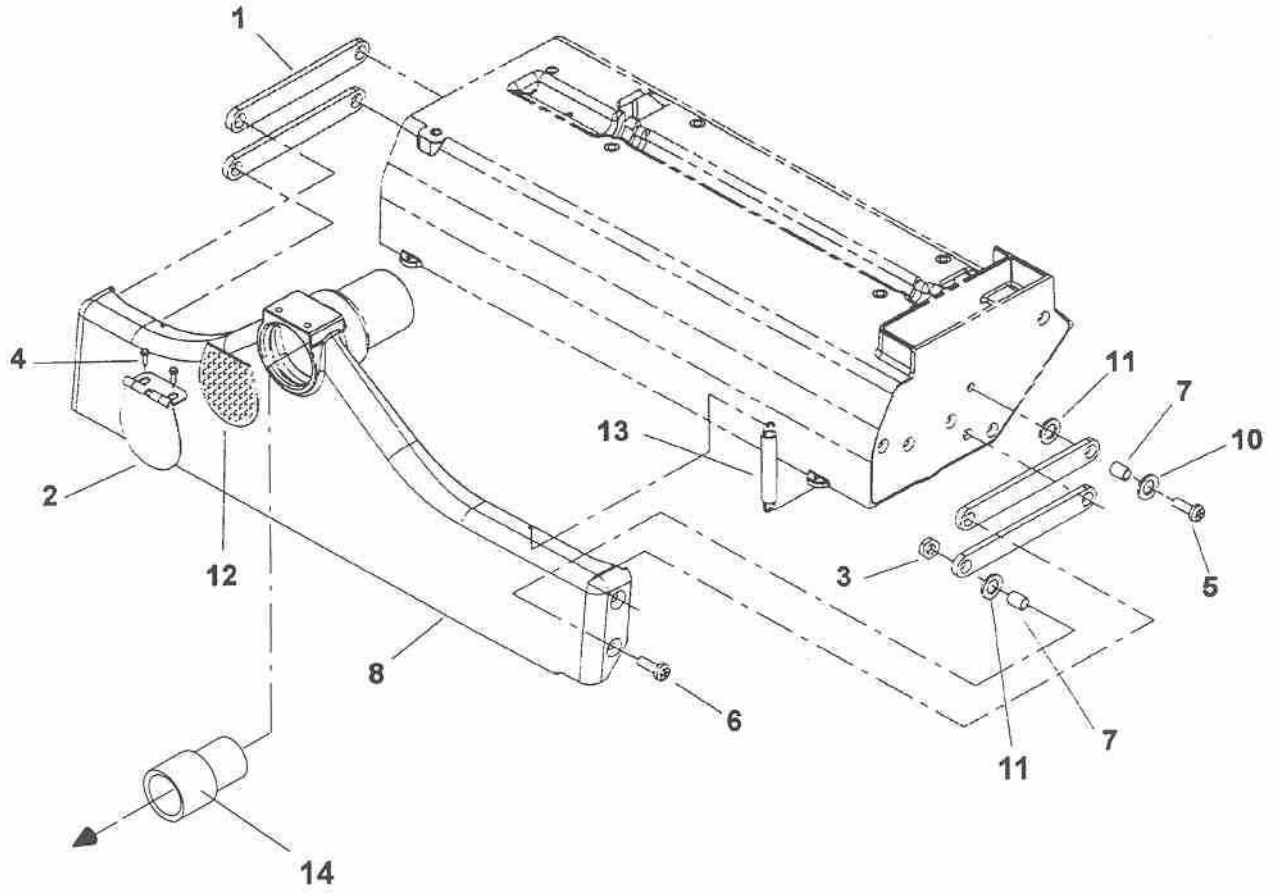




Typ aquamat 45			Bürstenpartie	Partie "Brosse"	Brush assembly
Serie 01					
Pos:	Bestell.-Nr. No. de commande Order.-Nr.	Stück Pièces Qty.	Bezeichnung	Designation	Description
1	CH03110	1	ACHSE	AXE	AXLE, ROLLER
2	CH04084	1	ZAPFEN	PIVOT	ADAPTER, BRUSH BRG
3	CH09019	2	KUGELLAGER	ROULEMENT A BILLES	BEARING, 1.125ODX.500IDX.375
4	CH11045	1	RIEMEN	COURROIE	BELT, 180J6 MICRO-V
6	CH140343	1	FLANSCH	FLASQUE	BRKT, BRUSH PULLEY
7	CH140351	1	RASTERELEMENT	SUPPORT D'ARRET	BRKT, BRUSH HEIGHT
9	CH36192	1	SCHUTZDECKEL	COURVERCLE DE PROTECTION	GUARD, THREAD
10	CH41346	1	BUERSTENGEHAEUSE	BATI DE BROSSSE	HOUSING, BRUSH 15"
11	CH50998	1	SCHILD	PLAQUETTE	LABEL, BRUSH HEIGHT
12	CH51311	1	STANGE	TIGE	LINKAGE, ASM, BRUSH HEIGHT
13	CH51312	1	STANGE	TIGE	LINKAGE ASM, ROLLER SUPPORT
14	CH51314	2	HEBEL	LEVIER	LNK, ROLLER, FRONT
15	CH51317	1	STELLHEBEL	LEVIER DE REGLAGE	LEVER, HEIGHT ADJUSTMENT
16	CH57030	4	SICHERUNGSMUTTER 10-32	ECROU SURETE 10-32	NUT, 10-32 HEX NYLOCK
17	CH57271	2	HALTEKAPPE 3/8	CAPOT DE RETENUE 3/8	NUT, 3/8 DIA CAP, TYPE PUSH PLT
18	CH62758	1	PLATTE RECHTS	PLAQUE DROIT	PLATE, BRUSH HOUSING RH
19	CH62759	1	PLATTE LINKS	PLAQUE GAUCHE	PLATE, BRUSH HOUSING LH
20	CH62762	2	PLATTE	PLAQUE	PLATE, AXLE RETAINER
22	CH66192	1	STIFT	GOUPILLE	PIN, ROLL 1/4 X 1.25L
23	CH67411	1	ROLLER	BOBINE	ROLLER, 1.9 DIA X 10.5 LG
24	CH70043	2	SENKSCHRAUBE KS 10-32 X 5/8	VIS A TETE CON. 10-32 X 5/8	SCR, 10-32 X 5/8 PFHMS
25	CH70088	6	LI.ZYL.SCHRAUBE MIT KS 10-32 X 1/2	VIS A TETE CYL BOMB. 10-32 X 1/2	SCR, 10-32 X 1/2 PPHMS SS DL
26	CH70177	7	SENKSCHRAUBE KS 10-32 X 1/2	VIS A TETE CON. 10-32 X 1/2	SCR, 10-32 X 1/2 FHMS SS
27	CH70232	2	SENKSCHRAUBE KS 10-32 X 3/8	VIS A TETE CON. 10-32 X 3/8	SCR, 10-32 X 3/8 FHMS SS
Serv.	CH70162	-	LI.ZYL.SCHRAUBE MIT KS 10-32 X 3/8	VIS A TETE CYL BOMB. 10-32 X 3/8	SCR, 10-32 X 3/8 PHMS SS
28	CH70497	2	ZYL.SCHRAUBE I.6-KT. 10-24 X 1/2	VIS CYL. A TROU 6 P. 10-24 X 1/2	SCR, #10-24 X 1/2 SHCS
29	CH87016	4	SICHERUNGSSCHEIBE 10	RONDELLE DE SURETEE 10	WASHER, #10 LOCK EXT STAR SS
30	CH87018	6	UNTERLAGSCHEIBE 10 X 9/16	RONDELLE 10 X 9/16	WASHER, #10 X 9/16 OD
31	CH70675	4	LI.ZYL.SCHRAUBE MIT KS 1/4-20 X 5/8	VIS A TETE CYL BOMB. 1/4-20 X 5/8	SCR, 1/4-20 X 5/8 PPHMS PHIL
Serv.	CH70586	4	LI.ZYL.SCHRAUBE MIT KS 1/4-20 X 3/4	VIS A TETE CYL BOMB. 1/4-20 X 3/4	SCR, 1/4-20 X 3/4
34	CH27805	1	LAGERAUFNAHME	FIXATION POUR PALIER	CLIP, BEARING
35	CH29157	1	FLANSCH	FLASQUE	DRIVER, BRUSH
37	2911/11	1	SICHERUNGSRING 12 A	RONDELLE "SEEGER" 12 A	RETAINING RING 12 A
38	CH66310	2	STIFT 1/4 X 1/2	GOUPILLE 1/4 X 1/2	PIN, CLEVIS 1/4 X 1/2 PLTD
39	1931/57	2	SPLINT 2X16	GOUPILLE FENDUE 2X16	COTTER PIN 2X16
40	CH73966	1	SCHLEIFE	DISQUE	SPACER .81ID X 1.06D, ALUM
41	CH64102	1	POULIE KOMPL.	POULIE COMPL.	PULLEY ASM, BRUSH
42	CH29208	1	ANTRIEBSGRUPPE	POULIE, GROUPE SPEC.	DRIVER ASM, BRUSH
43	CH12515	1	BUERSTE 460 KOMPL.	BROSSE 460 COMPL.	BRUSH 460 ASM,

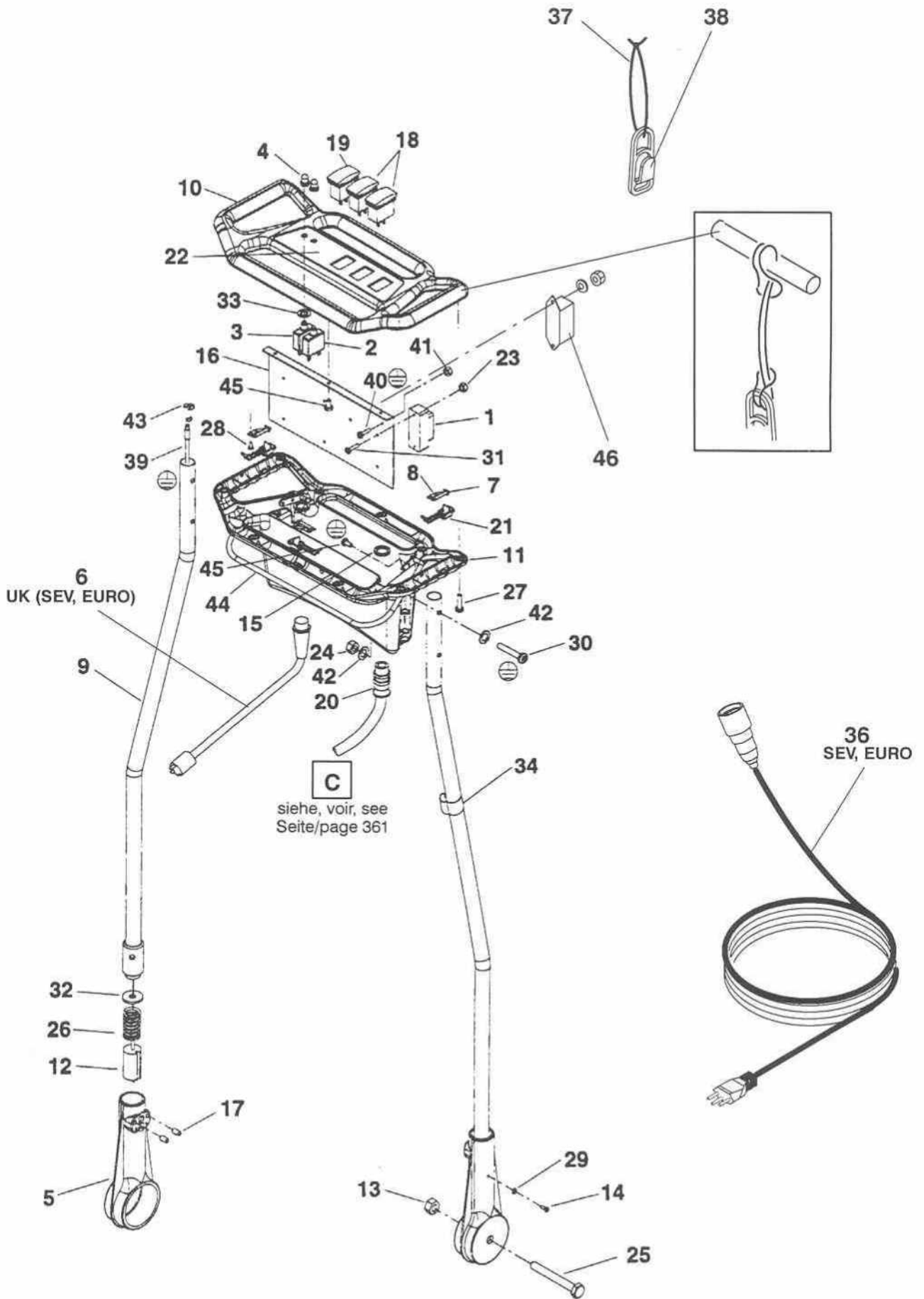
Typ aquamat 45			Pumpengruppe	Group "Pompe"	Pump assembly
Serie 01					
Pos.	Bestell- -Nr No. de commande Order- -Nr.	Stück Pièces Qty.	Bezeichnung	Designation	Description
1	CH22072	1	VERSCHRAUBUNG 1/4	RACCORD 1/4	COUPLING, 1/4 ANCHOR W/1" HEX
2	CH22090	2	VERSCHRAUBUNG 1/8FPT X 1/4	CONNECTION 1/8FPT X 1/4	CONNECTOR, 1/8FPT X 1/4 TUBEQC
3	CH31072	1	WINKELVERSCHRAUBUNG 1/4MPTX1/4	EQUERRE 1/4MPTX1/4	ELBOW, SWIVEL, 1/4MPTX1/4TUBE
4	CH31074	1	WINKELVERSCHRAUBUNG 3/8MPTX3/8	EQUERRE 3/8MPTX3/8	ELBOW, SWIVEL, 3/8MPTX3/8TUBEQC
5	CH44067	2	DUESENHALTER	PORTE-TUYERES	JET BODY, MINI PROMAX BODY
6	CH44068	2	DUESE	BUSE	JET, MINI PROMAX 8003
7	CH57030	2	SICHERUNGSMUTTER 10-32	ECROU SURETE 10-32	NUT, 10-32 HEX NYLOCK
8	CH65190	1	PUMPE 230 V	POMPE 230 V	PUMP 230 V ASM,
9	CH66288	2	STOPFEN 9/16	TAMPON 9/16	PLUG, 9/16 OD BLK NYLON
10	CH70386	2	LJ.ZYL.SCHRAUBE MIT KS 10-32 X 1.0	VIS A TETE CYL BOMB. 10-32 X 1.0	SCR, 10-32 X 1.0 PPHMS
11	3304/209	2	SECHSKANTSCHRAUBE 1/4-20 X 1/2	VIS A TETE S.P. 1/4-20 X 1/2	SCR, 1/4-20 X 1/2 HHCS PLTD
12	CH34355	1	VERTEILER 1/4	PIECE D'EMBRANCHEMENT1/4	FITTING,1/4 TUBE,"Y", QC
13	CH78419	1	T-STUECK 3/8 MPT X 3/8	RACCORD EN T 3/8 MPT X 3/8	TEE, 3/8 MPT X 3/8 TUBE, QC
14	CH84165	1	MAGNETVENTIL 230 V	SOUPAPE MAGNETIQUE 230 V	VALVE 230 V, ASM,SOLENOID CLP
15	CH87191	2	UNTERLAGSCHEIBE 1/4"IDX1.0	RONDELLE 1/4"IDX1.0	WASHER, 1/4"IDX1.0OD. FLAT SS
16	CH87018	4	UNTERLAGSCHEIBE 10 X 9/16	RONDELLE 10 X 9/16	WASHER, #10 X 9/16 OD
17	CH87192	2	GUMMISCHEIBE 7/16 X 3/4 X .19	RONDELLE D'ETANCH. 7/16 X 3/4 X .19	WASHER, 7/16 X 3/4 X .19RUBBER
19	CH22091	1	NIPPEL	RACCORD	NIPPLE
20	CH31076	2	WINKELVERSCHRAUBUNG 1/4 MPT X 3/8	EQUERRE 1/4 MPT X 3/8	ELBOW, 1/4 MPT X 3/8 TUBE, QC
21	CH70088	2	LJ.ZYL.SCHRAUBE MIT KS 10-32 X 1/2	VIS A TETE CYL BOMB. 10-32 X 1/2	SCR, 10-32 X 1/2 PPHMS SS
22	CH67420	1	RINGANSCHLUSS	COSSE DE CABLE	RING, GROUND
23	CH880228	1	LITZE, ERDUNG	CABLE, TERRE	WIRE, 24" GRN/18 76011 X STRIP
24	CH99250	0,74M	SCHLAUCH 3/8	TUYAU 3/8	HOSE, 3/8 URETHANE
25	CH99250	0,153M	SCHLAUCH 3/8	TUYAU 3/8	HOSE, 3/8 URETHANE
26	CH99251	0,153M	SCHLAUCH 1/4	TUYAU 1/4	HOSE, 1/4 URETHANE
27	CH73963	1	ABDECKUNG, SIEB	COUVERCLE, SIEVE	SCREEN, INTAKE
28	CH31022	1	WINKELVERSCHRAUBUNG 1/8NPT	EQUERRE 1/8NPT	ELBOW, 1/8NPT STREET

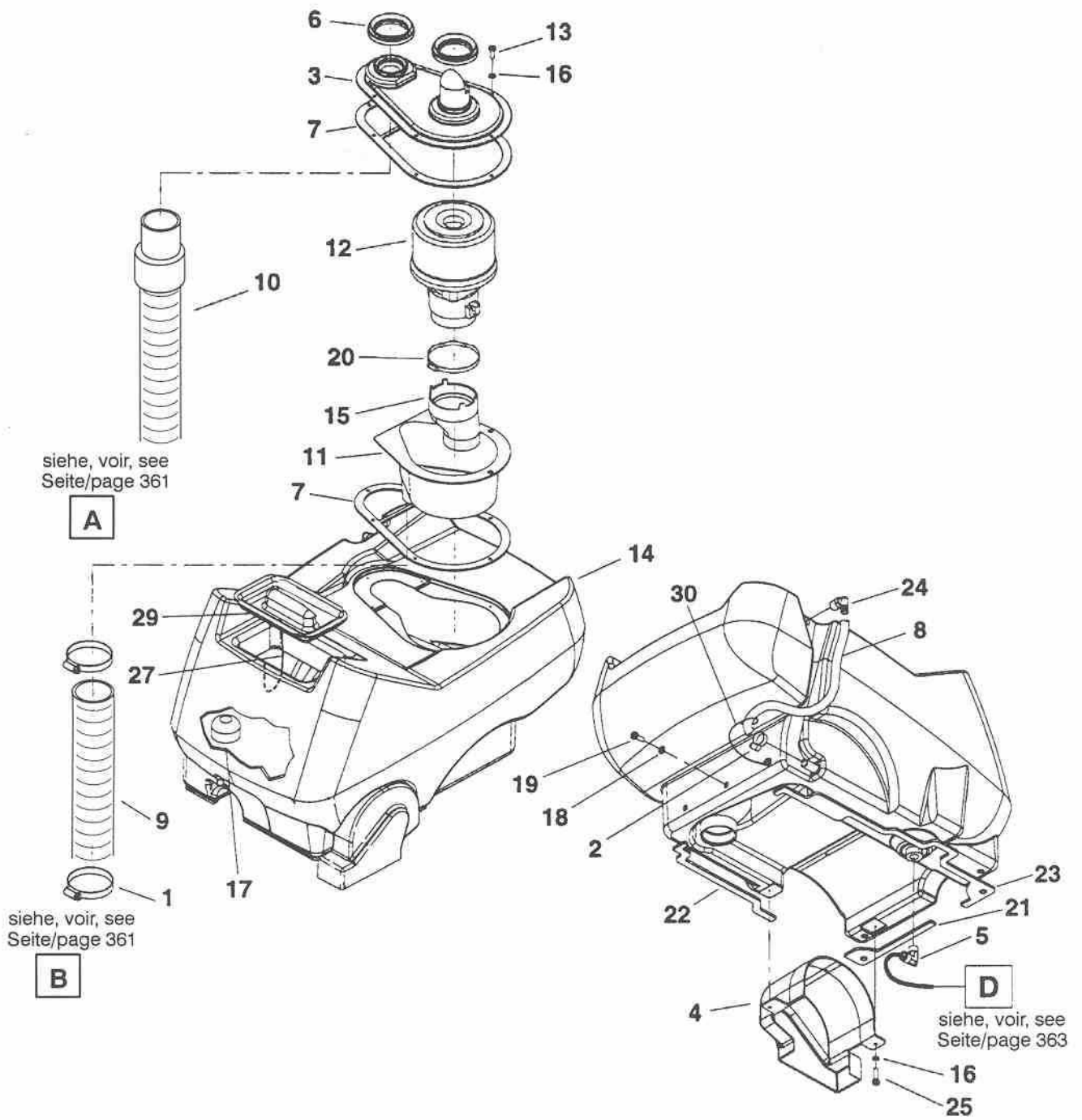




Typ aquamat 45			Saugdüse	Suceur	Vacuum shoe assy
Serie 01					
Pos.	Bestell-Nr. No. de commande Order-Nr.	Stück Pièces Qty	Bezeichnung	Designation	Description
1	CH05016	4	FUEHRUNGSARM	BRAS	ARM, VAC SHOE PARALLEL
2	CH27674	1	ABDECKKLAPPE	TRAPPE	COVER, ACCESSORY PORT
3	CH57245	4	SICHERUNGSMÜTTER 1/4-20	ECROU SURETE 1/4-20	NUT, 1/4-20 HEX NYLOCK SS
4	CH70351	2	LI.ZYL.SCHRAUBE MIT KS 10-32 X 3/8	VIS A TETE CYL BOMB. 10-32 X 3/8	SCR, 10-32 X 3/8 HHTR W/STAR
5	3304/195	4	LI.ZYL.SCHRAUBE MIT KS 1/4-20 X.75	VIS A TETE CYL BOMB. 1/4-20 X.75	SCR, 1/4-20 X.75 PPHMS PHIL
6	CH70390	4	SENKSCHRAUBE KS 1/4-20 X 1	VIS A TETE CON. 1/4-20 X 1	SCR, 1/4-20 X 1 FHCS PLTD
7	CH73958	8	BUCHSE	DOUILLE	SPACER, 3/8ODX.058WX.2814,CRS
8	CH85040	1	SAUGFUSS 18"	PIED D'ASPIRATION 18"	VAC SHOE, 18"
10	CH87013	4	UNTERLAGSCHEIBE 1/4 ID X 5/8	RONDELLE 1/4 ID X 5/8	WASHER, 1/4 ID X 5/8 OD SS
11	CH87074	8	WELLENSCHEIBE 3/8ID X3/4D X.125	ENTRETOISE 3/8ID X3/4D X.125	WASHER, WAVE 3/8ID X3/4D X.125
12	CH35171	1	DICHTUNG	JOINT	GASKET, ACCESSORY PORT
13	CH73955	2	ZUGFEDER .38D X2.75L X.055	RESSORT .38D X2.75L X.055	SPRING, EXT .38D X2.75L X.055W
14	CH27759	-	MUFFE	MANCHON	BUSHING

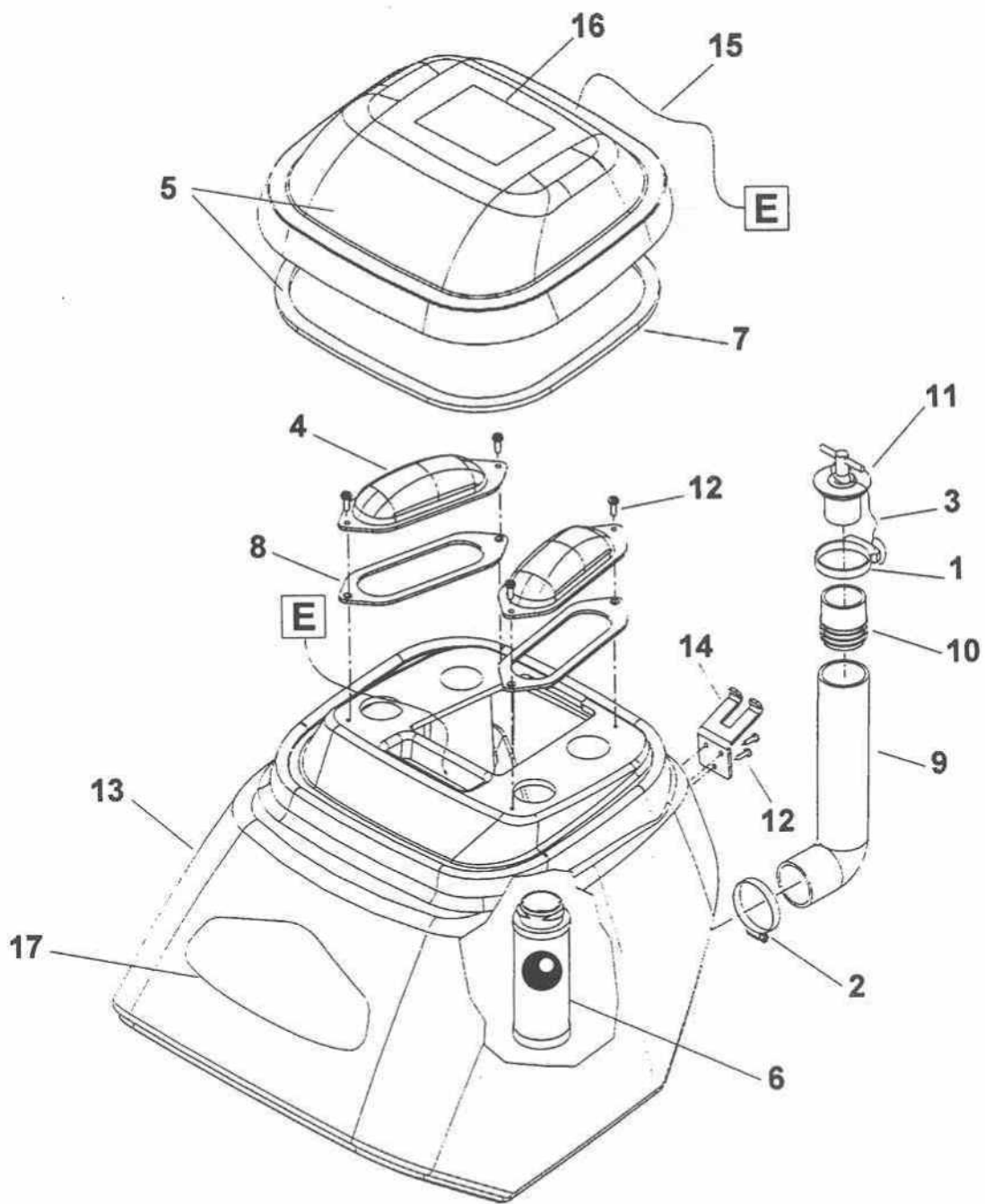
Typ aquamat 45			Bedienungstableau Tableau de commande Control panel assy		
Serie 01					
Pos.	Bestell--Nr. No. de commande Order--Nr.	Stück Pièces Qty.	Bezeichnung	Designation	Description
1	CH14020	1	STECKERBLOCK	CONNECTEUR	TERMINAL BLOCK, (3-4-3)
2	CH14312	1	UEBERSTROMAUSLOESER 7 A	DISJONCTEUR DE SURCHARGE 7 A	BREAKER 7A
3	CH14949	1	UEBERSTROMAUSLOESER 4 A	DISJONCTEUR DE SURCHARGE 4 A	BREAKER 4A
4	CH14942	2	SCHUTZHAUBE	CAPOT DE PROTECTION	BOOT, 3/8 CIRCUIT BREAKER
5	CH41181	2	GELENK	ARTICULATION	HOUSING, CLP HANDLE PIVOT
6	---	1	ANSCHLUSSKABEL SEV, EURO	CABLE SEV, EURO	CORD ASM, 14/3 X 22" YLW
7	CH27823	3	KONTAKT FLACH	CONTACT PLAT	CONTACT, ELECTRICAL, FLAT
8	CH27824	3	KONTAKT GEBOGEN	CONTACT CIRC.	CONTACT, ELCTETRICAL, BENT
9	CH38285	2	STANGE	TIGE	HANDLE, CLP 12 WELDED
10	CH38286	1	TABLEAU, GRIFF	TABLEAU, POIGNEE	HANDLE, DONTROL PANEL FRONT
11	CH38287	1	SUPPORT	SUPPORT	HANDLE, CONTROL PANEL REAR
12	CH51114	2	RASTERBOLZEN	DOIGT VEROUILLEUR DENTE	LOCK, HANDLE POSITION
13	CH57153	2	SICHERUNGSMUTTER 1/2-13	ECROU SURETE 1/2-13	NUT, 1/2-13 HEXNYLOCK THIN-PLTD
14	CH70067	2	SCHRAUBE 6-32 X 3/8	SCREW 6-32 X 3/8	SCR, 6-32 X 3/8 PPHMS
15	CH57040	2	SECHSKANTMUTTER 1/2 NPT	ECROU A SIX PANS 1/2 NPT	NUT, 1/2 NPT CONDUIT
16	CH62766	1	SCHILD	PLAQUETTE	LABEL, CONTROL PANEL, CPL/ADM
17	CH70330	4	STIFTSCHRAUBE 5/16-18 X 1/2	VIS SANS TETE 5/16-18 X 1/2	SET SCR, 5/16-18 X 1/2 CONE PT
18	CH72130	2	WIPPSCHALTER, 2 POSITIONEN	INTERRUPTEUR A BASCULE, 2 POS.	SWITCH, SPST 2-POSITION ROCKER
19	CH72162	1	WIPPSCHALTER, 3 POSITIONEN	INTERRUPTEUR A BASCULE, 3 POS.	SWITCH, DPDT 3-POSITION ROCKER
20	CH73505	1	KABELVERSCHRAUBUNG 1/2 NPT	PRESSE-ETOUBE 1/2 NPT	STRAIN RELIEF, 1/2 NPT TRUMPET
21	CH78418	3	DRUECKER	BOUTON	TRIGGER, SWITCH
22	CH500041	1	SCHILD	PLAQUETTE	LABEL, CONTROL PANEL
23	CH57116	2	SECHSKANTMUTTER 6-32	ECROU A SIX PANS 6-32	NUT, 6-32 W/STAR WASHER PLTD
24	CH57245	4	SICHERUNGSMUTTER 1/4-20	ECROU SURETE 1/4-20	NUT, 1/4-20 HEX NYLOCK SS
25	CH70672	2	SECHSKANTSCHRAUBE 1/2-13 X 4.75	VIS A SIX PANS 1/2-13 X 4.75	SCR, 1/2-13 X 4.75HHCS GR5 PLT
26	CH73307	2	DRUCKFEDER 0.88D X 1.4L X .100	RESSORT DE PRESSION 0.88D X 1.4L	SPRING, COMP .88D X 1.4L X .100W
27	CH70406	9	LI.ZYL.SCHRAUBE MIT KS 10X 3/8	VIS A TETE CYL. BOMB. 10X 3/8	SCR, 10X 3/8 PPHST TYPE B
28	CH70127	6	LI.ZYL.SCHRAUBE MIT KS 6-32 X 1/4	VIS A TETE CYL. BOMB. 6-32 X 1/4	SCR, 6-32 X 1/4 PPHMS SS
29	CH87026	2	SICHERUNGSSCHEIBE	RONDELLE DE SURETE	WASHER, 6LOCK EXT STAR SS
30	CH70049	4	LI.ZYL.SCHRAUBE MIT KS 1/4-20 X 1.75	VIS A TETE CYL. BOMB. 1/4-20 X 1.75	SCR, 1/4-20 X 1.75 PPHMS SS
31	CH70235	2	LI.ZYL.SCHRAUBE MIT KS 6-32 X 1.0	VIS A TETE CYL. BOMB. 6-32 X 1.0	SCR. 6-32 X 1.0 PH BLK NYLON
32	CH87086	2	SCHLEIBE M 10X30	DISQUE M 10X30	WASHER, M 10X30 PLTD
33	CH87100	2	SICHERUNGSSCHEIBE 3/8	RONDELLE DE SURETE 3/8	WASHER, 3/8 ID INT. LOCK THIN
34	4215/3	2	KABELBINDER 185	BANDE A LIERS LES CABLES 185	CABLE TIE 185
36	55042-75	1	VERLAENGERUNGSKABEL SEV	CORDE D'ALLONGEMENT SEV	CORD SET, 14/3 SJTW-A X 50' YLW
	55042-76	1	VERLAENGERUNGSKABEL EURO	CORDE D'ALLONGEMENT EURO	EXTENSION CORD EURO
37	14504-16	1	ZUGSCHLINGE	BOUCLE DE RETENTIONR	RETENSION LOOP
38	4425/021	1	KABELZUGENTLASTUNG	ETRANGLONR	STRAIN RELIEF
39	CH27817	2	KABELZUG	CABLE	CABLE, .06 X 40.0707 SS
40	CH70066	1	LI.ZYL.SCHRAUBE MIT KS 10-32	VIS A TETE CYL. BOMB. 10-32	SCR, 10-32 X 3/4 PPHMS
41	CH57104	3	SECHSKANTMUTTER 10-32	ECROU A SIX PANS 10-32	NUT, 10-32 W/STAR WASHER PLTD
42	CH87025	6	SICHERUNGSSCHEIBE 1/4	RONDELLE DE SURETE 1/4	WASHER, 1/4 LOCK EXT STAR SS
43	CH67381	2	SICHERUNGSRING 1/4	RONDELLE EVENTAILE 1/4	RING, 1/4 KLIP
44	CH51319	1	HEBEL	LEVIER	LEVER ASM, CLP HANDLE ADJ
45	CH70351	4	LI.ZYL.SCHRAUBE MIT KS 10-32 X 3/8	VIS A TETE CYL. BOMB. 10-32 X 3/8	SCR, 10-32 X 3/8 HHTR W/STAR
46	CH34362		ENTSTOERFILTER	FILTRE D'ANTIPARASITAGE	FILTER





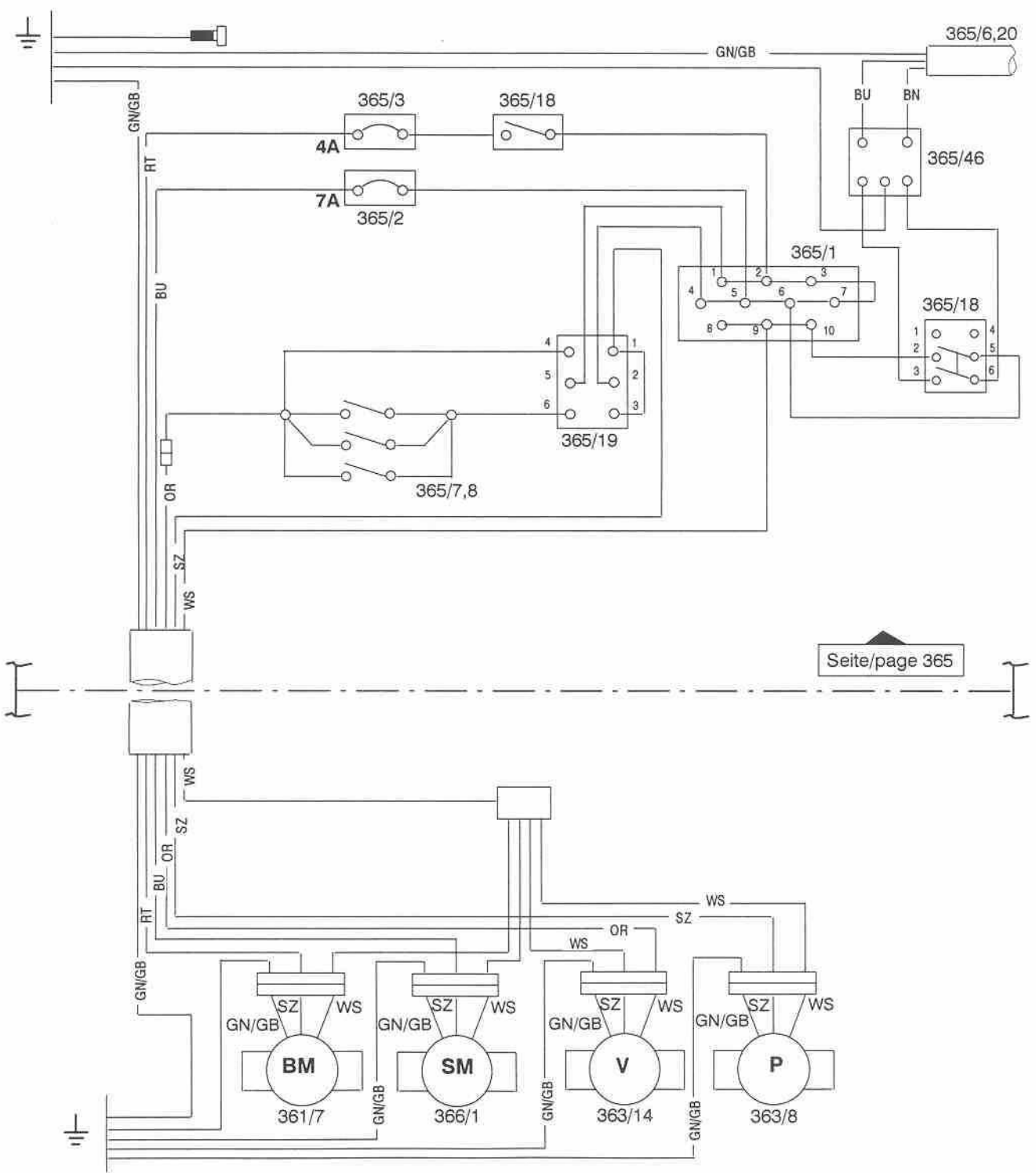
Typ aquamat 45			Tank	Réservoir	Solution tank assy
Serie 01					
Pos.	Bestell.-Nr. No. de commande Order.-Nr.	Stück Pièces Qty.	Bezeichnung	Designation	Description
1	2174/110	3	SCHLAUCHKLEMME 45-60	BRIDE 45-60	CLAMP, 2.0" WORM GEAR
2	2178/12	1	SCHLAUCHKLEMME 12-20	BRIDE 12-20	CLAMP 12-20
3	CH27809	1	DECKEL	COUVERCLE	COVER, VAC MOTOR
4	CH27810	1	ABDECKUNG	PROTECTION	COVER, BELT
5	CH31075	1	WINKELVERSCHRAUBUNG 3/8 MPT X 3/8	EQUERRE 3/8 MPT X 3/8	ELBOW, 3/8 MPT X 3/8 TUBE, QC
6	CH35175	2	DICHTRING	ANNEAU D'ETANCHEITE	GASKET, TANK TO VAC COVER
7	CH35231	2	DICHTUNG	JOINT	GASKET, VAC COVER (CLP FAMILY)
8	8819/6	0,30M	SCHLAUCH 12/18	TUYAU 12/18	HOSE 12/18
9	CH39536	1	SCHLAUCH 1,5 X 5"	HOSE 1,5 X 5"	HOSE, 1.5 BLK VAC X 5"
10	CH39528	1	SCHLAUCH 1,5	TUYAU 1,5	HOSE ASM, 1.5 BLK VAC X 15.5
11	CH41348	1	MOTORGEHAEUSE	BATI DE MOTEUR	HOUSING, VAC MOTOR
12	CH53791	1	SAUGMOTOR 230 V	TURBINE 230 V	VAC MOTOR 230 V ASM, CLP FAMILY
	4700/113	2	KOHLEBUERSTE	BALAI CHARBON	CARBON BRUSH
13	CH70525	6	LI.ZYL.SCHRAUBE MIT KS 10 X 1.0	VIS A TETE CYL. BOMB. 10 X 1.0	SCR, #10 X 1.0 PPHST TYPE B
14	CH75278	1	FRISCHWASSERTANK ORANGE	RESERVOIR ORANGE	TANK ORANGE, SLP SOLUTION
15	CH85038	1	GUMMIMUFFE	PIECE DE CAOUTCHOUC	VENT, COOLING AIR LARGE
16	CH87018	9	UNTERLAGSCHEIBE 10 X 9/16	RONDELLE 10 X 9/16	WASHER, 10 X 9/16 OD
17	CH73864	1	FILTER 3/8"	FILTRE 3/8"	STRAINER, 3/8 IN. NPT 60 MESH
18	CH87013	3	UNTERLAGSCHEIBE 1/4 X 5/8	RONDELLE 1/4 X 5/8	WASHER, 1/4 ID X 5/8 OD SS
19	CH70085	3	LI.ZYL.SCHRAUBE MIT KS 1/4-20 X 1/2	VIS A TETE CYL. BOMB. 1/4-20 X 1/2	SCR, 1/4-20 X 1/2 PPHMS SS DL
20	CH20092	1	BRIDE 3.5"	BRIDE 3.5"	CLAMP, 3.5" WORM GEAR
21	CH35236	1	DICHTUNG	JOINT	GASKET, TANK, L-F
22	CH35237	1	DICHTUNG	JOINT	GASKET, TANK, L-R
23	CH35238	1	DICHTUNG	JOINT	GASKET, TANK, RH
24	CH40027	1	SCHLAUCHWINKEL 3/8MPT X 1/2 90	EQUERRE 3/8MPT X 1/2 90	HOSEBARB, 3/8MPT X 1/2 90D DL
25	CH70114	3	LI.ZYL.SCHRAUBE MIT KS 10 X 3/4	VIS A TETE CYL. BOMB. 10 X 3/4	SCR, 10 X 3/4 PPHST TYPE B
27	8807/011	0,35M	SEIL	CORDELETTE	CORD
29	CH27827	1	DECKEL	COUVERCLE	COVER, CLP SOLUTION
30	---	-	SEIL	CORDELETTE	LANYARD, .06 X 2.88

Typ aquamat 45			Schmutzwassertank	Réservoir	Recovery tank assy
Serie 01					
Pos.	Bestell.-Nr. No. de commande Order.-Nr.	Stück Pièces Qty.	Bezeichnung	Designation	Description
1	CH20002	1	BRIDE 2"	BRIDE "	CLAMP. 2.00 NYLON RATCHET
2	2174/110	3	SCHLAUCHKLEMME 45-60	BRIDE 45-60	HOSE CLAMP 45-60
3	14504-16	1	ZUGSCHLINGE	BOUCLE DE RETENTION	RETENSION LOOP
4	CH27816	2	SCHAUGLAS	LUNETTE DE CONTROLE	COVER, REC. TANK
5	CH28061	1	HAUBE	CAPOT	DOME, CLP FAMILY
6	CH34351	1	SCHWIMMER	FLOATTEUR	FLOAT SHUT-OFF
7	CH35230	1	DICHTUNG	JOINT	GASKET, DOME
8	CH35232	2	DICHTUNG	JOINT	GASKET, PORT COVER
9	CH39353	1	SCHLAUCH	TUYAU	HOSE, 1.5 X 12.0 DRAIN
10	CH40019	1	SCHLAUCHMUFFE 1,5	MANCHON 1,5	HOSEBARB, 1.5 DOUBLE MCHD
11	CH66227	1	VERSCHLUSS	FERMETURE	PLUG, DRAIN HOSE
12	CH70114	7	LI.ZYL.SCHRAUBE MIT KS 10 X 3/4	VIS A TETE CYL. BOMB. 10 X 3/4	SCR, #10 X 3/4 PPHST TYPE B
13	CH75292	1	SCHMUTZWSSERTANK ORANGE	RESERVOIR DE RECUPERATION	TANK, CDT RECOVERY
14	CH140133	1	HALTER	FIXATION	BRKT, RECOVERY HOSE MTG
15	8807/11	0,30M	SEIL	CORDELETTE	CORD, 99807 1/8 X 12"
16	---	1	HINWEISSCHILD	PLAQUE D'INFORMATION	LABEL, WARNING
17	CH500042	1	SCHILD TASKI	PLAQUETTE TASKI	LABEL TASKI



Typ **aquamat 45** **Elektroschema** **Schema électrique** **Wiring diagram**
 Serie **01**

BN	BRAUN	BRUN	BROWN
BU	BLAU	BLEU	BLUE
GB	GELB	JAUNE	YELLOW
GN	GRUEN	VERT	GREEN
RT	ROT	ROUGE	RED
SZ	SCHWARZ	NOIR	BLACK



Seite/page 365

SM	MOTORTURBINE	TURBINE	VACUUM MOTOR
BM	BUERSTENMOTOR	MOTEUR DE BROSSE	BRUSH MOTOR
V	VENTIL	SOUPAPE	VALVE
P	PUMPE	POMPE	PUMP